

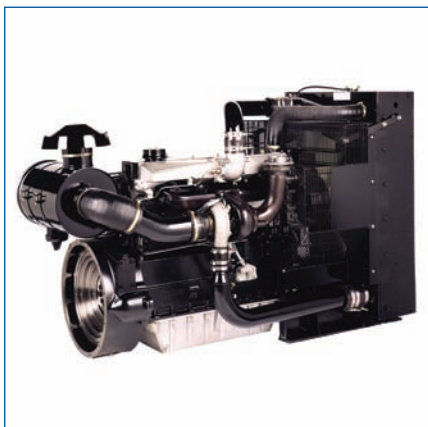


1000 Series

1006TAG

Diesel Engine – ElectropaK

137.5 kWm 1500 rev/min
151.5 kWm 1800 rev/min



Economic power

Single side servicing for reduced service time and cost.

Unique Fastram combustion system enables high power output plus low fuel consumption.

Electronic governor gives close control and means that the rated speed can be set at site to either 1500 rpm or 1800 rpm allowing standard builds to operate at either 50 Hz or 60 Hz.

Clean, efficient power

Operator and environmentally friendly with low noise, rapid startability and low emissions that satisfy TA Luft requirements.

Durable power

Maximum cooling efficiency is provided by a gear driven water pump and independent fan drive.

Leak free operation is ensured by Viton crankshaft seals and sophisticated controlled swell joints, giving protection in the toughest conditions.

Inserted valve seats, oil spray cooled pistons and compact plate cooler give enhanced engine life.

Reliable power

Wherever a Perkins' ElektropaK engine is put into service, it will never be far from the support provided by a global network of 4,000 distributors and dealers, all backed by a parts distribution centre giving 24 hour service, 365 days a year.

Suitable for operation in ambient temperatures up to 52°C (46°C if a canopy is fitted). Fuelled starting aid for temperatures down to -20°C.

The Perkins 1000 Series family of ElectropaK engines are renowned throughout the power generation industry for their superior performance and reliability.

The 1006TAG is a turbocharged, 6 cylinder, 6 litre engine. Its premium design features provide economic and durable operation offering the ideal characteristics for electrical power generation.

Engine Speed (rev/min)	Type of Operation	Typical Generator Output (Net)		Engine Power			
				Gross		Net	
		kVA	kWe	kWm	bhp	kWm	bhp
1500	Prime Power	140.5	112.5	132.0	177.0	125.0	167.5
	Standby Power	155.0	124.0	145.0	194.5	137.5	184.5
1800	Prime Power	155.0	124.0	148.0	198.5	137.5	184.5
	Standby Power	170.5	136.5	163.0	218.5	151.5	203.0

All ratings data based on operating under ISO/TR 14396/ISO 8528 conditions using typical fan sizes and drive ratios. For operation outside of these conditions please consult your Perkins contact. Performance tolerance quoted by Perkins is +5%.

Electrical ratings assume a power factor of 0.8 and a generator efficiency of 90%.

Fuel specification: BS 2869 Part 2 1998 Class A2 or ASTM D975 D2

Lubrication oil: A single or multigrade oil to ACEA/E1 E2 or API CD/SD

Rating Definitions

Prime Power: Power available at variable load in lieu of main power network. An overload of 10% is permitted for 1 hour in every 12 hours of operation.

Standby Power: Power available at variable load in the event of a main power network failure. No overload is permitted.

All information in this document is substantially correct at time of printing and may be altered subsequently

Publication No. 1578/10/05 Produced in England ©2005 Perkins Engines Company Limited

1000 Series

1006TAG

Standard ElectropaK Specification

Air inlet

- Mounted air filter and turbocharger

Fuel system

- Rotary fuel injection pump
- Mechanical governing conforms to ISO 8528-5 1993(E) Class G2, ISO 3046-4M3
- Spin-on full flow fuel oil filters and pre-filter

Lubrication system

- Flat bottomed aluminium sump
- Spin-on full flow oil filters
- Oil cooler

Cooling system

- Thermostat controlled cooling system with gear driven water pump
- 25" belt-driven pusher fan and guards
- Radiator incorporating air-to-air charge cooler and piping

Electrical system

- 12 volt starter motor and 55 amp alternator with DC output
- 12 volt oil Pressure and coolant temperature switches
- 12 volt shut down solenoid – energised to run cold start aid

Flywheel and housing

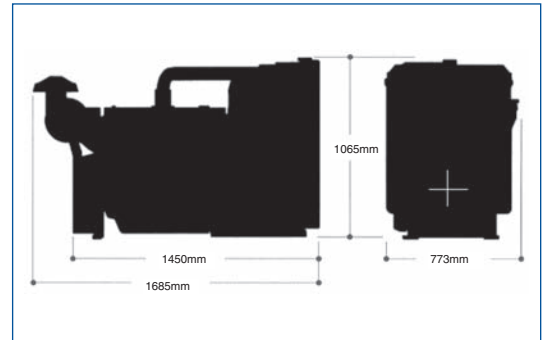
- High inertia flywheel to SAE J620 size 10/11½

Mountings

- Front engine mounting bracket

Optional Equipment

- 24 volt alternator
- 24 volt starter motor
- Water temperature gauge and sender
- Heater/Starter switch
- Rear engine mountings
- Workshop manual
- Parts book
- User handbook
- Electronic governor (12 volt only)



General Data

Number of cylinders	6
Cylinder arrangement	Vertical in-line
Cycle	4 stroke
Induction system	Turbocharged, air-to-air aftercooled
Combustion system	Direct injection
Cooling system	Water-cooled
Bore and stroke	100 x 127 mm
Displacement	5.99 litres
Compression ratio	17.0:1
Direction of rotation	Anti-Clockwise, viewed on the flywheel
Total lubrication system capacity	19.0 litres
Coolant capacity (inc. radiator)	37.22 litres
Length	1685 mm
Width	773 mm
Height	1065 mm
Total weight (dry)	586 kg

Overall dimensions and weight will depend on final specification.

Power Rating %	Fuel consumption litres/hour (UK gallons/hour)	
	1500 rev/min	1800 rev/min
110	36.6 (8.0)	41.0 (9.0)
100	33.3 (7.3)	37.7 (8.3)
75	25.2 (5.5)	29.5 (6.5)
50	16.9 (3.7)	18.9 (4.2)



Perkins Engines Company Limited

Peterborough PE1 5NA
 United Kingdom
 Telephone +44 (0)1733 583000
 Fax +44 (0)1733 582240
www.perkins.com



Distributed by